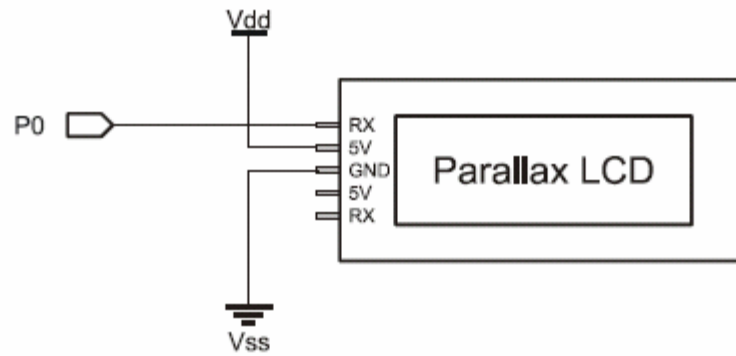


Figure 1. Essential Serial LCD Connections



Serial LCD State	Voltage	Current
Backlight off	5VDC	35mA
Backlight on (only on model 27977)	5VDC	100mA